



The LCS10T12 connected to the LPM12 or LPMG12 indicator is a low cost, easy to use, go/no-go indication system for the remote monitoring of current flow. The LCS10T12 is installed on an adequately insulated wire of the monitored load. Its 12in. (30.4cm) leads are connected to the LPM12 or LPMG12 panel mount indicator directly or via customer supplied wires up to 500 feet (152.4m) long.

For more information see:
 Appendix B, pages 166 & 167, Figures 23 & 24 for dimensional drawings.
 Appendix C, page 170, Figure 22 for connection diagram.

Features:

- Low cost go/no go indication
- May be connected to wires up to 500 feet (152.4 m) long
- Remote monitoring of currents up to 50A
- Green or red LED indicator available

Approvals:   

Available Models:

LCS10T12
 LPM12
 LPMG12

Operation

When the monitored current is 5A turns, the panel mount LPM indicator will glow. The LCS10T12 is designed to maximize the light output of the panel mount indicator. It can be used to monitor current flow of less than 5A by passing the monitored conductor 2 or more times through the sensor.

CAUTION: The LCS10T12 must be connected to the LPM12 or LPMG12 before current flows to prevent damage or a shock hazard. Monitored wires must be properly insulated.

Panel mount indicator designed to match the output of the LCS10T12. The LPM12 and LPMG12 come with 12 in. (30.4 cm) wires and a one piece mounting clip. Both devices install quickly in a 0.25 in. (6.35 mm) hole in panels from 0.031 - 0.062 in. (0.79 - 1.6 mm) thick.

Order Table:

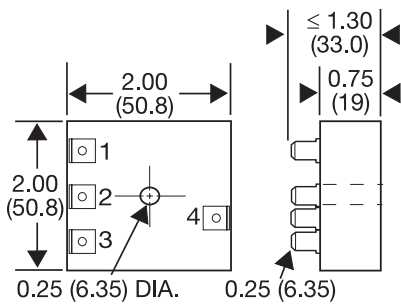
Description	Part Number
AC Current Sensor	LCS10T12
Red LED Indicator	LPM12
Green LED Indicator	LPMG12

Specifications

Monitored Current					
Current Range	2 - 50A AC				
Wire Passes	Min. Current	Max Current	Max. Inrush	Max. Wire Dia.	
1	5A	50A	120A	0.355 in. (9.0 mm)	
2	2.5A	25A	60A	0.187 in. (4.7 mm)	
3	1.7A	16.6A	40A	0.15 in. (3.8 mm)	
4	1.3A	12.5A	30A	0.125 in. (3.2 mm)	
5	5/X	50/X	120/X		
Maximum Current	50A turns continuous				
AC Line Frequency	50/60Hz				
DC Resistance of Current Limiter	65 Ω				
Mechanical					
Sensor Hole	0.36 in. (9.14 mm) for up to #4 AWG (21.1 mm ²) THHN wire				
Termination	12 in. (30.4 cm) wire leads				
Environmental					
Operating / Storage Temperature	-40° to 60°C / -40° to 85°C				
Weight	LCS: ≅ 0.8 oz (23 g) LPM: ≅ 0.2 oz (6 g)				

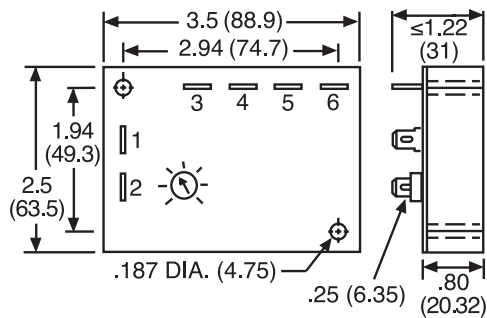
Appendix B - Dimensional Drawings

FIGURE 13



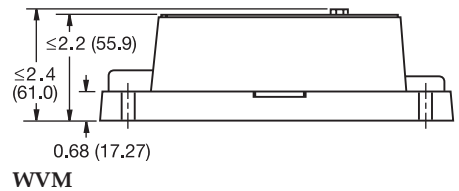
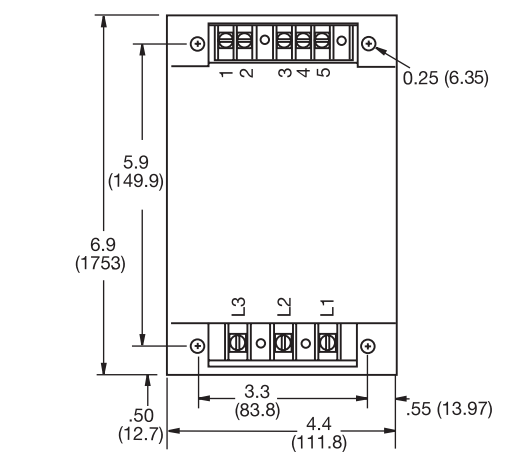
AF

FIGURE 14



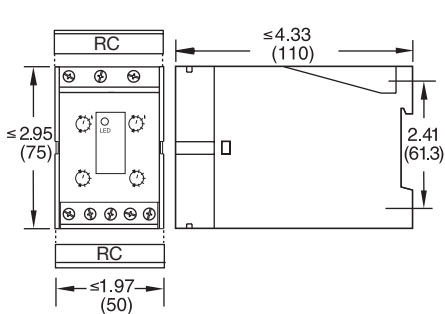
SC3; SC4; SQ

FIGURE 15



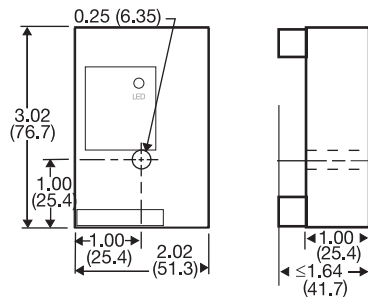
WVM

FIGURE 16



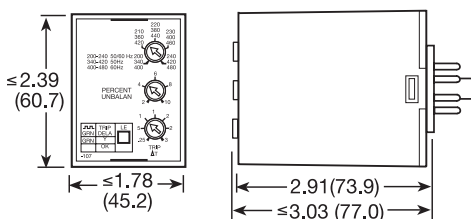
DLMU

FIGURE 17



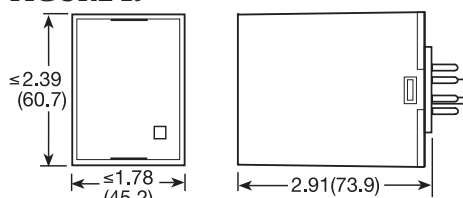
FB9L; HLMU; SCR9L

FIGURE 18



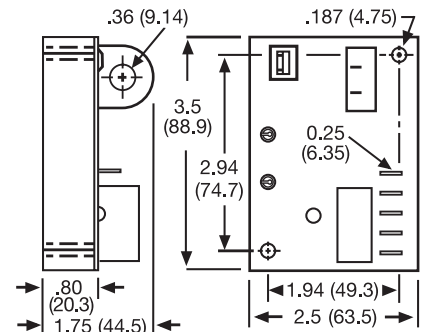
PLMU

FIGURE 19



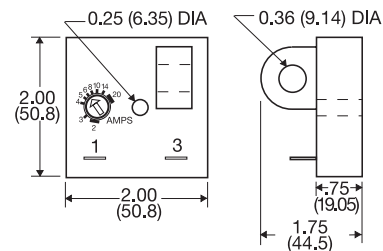
LLC4; LLC6; PLS

FIGURE 20



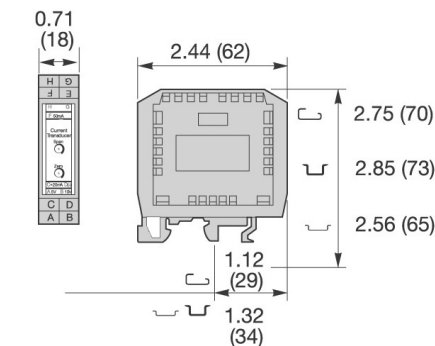
ECS; ECSW (ECS has spade connectors and ECSW has terminal board)

FIGURE 21



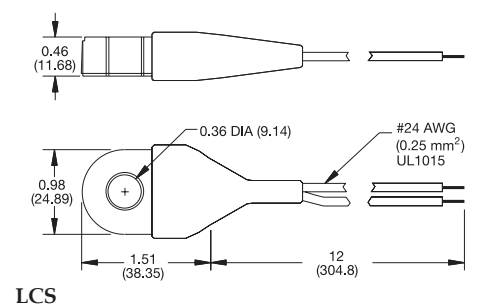
TCS; TCSA

FIGURE 22



DCSA

FIGURE 23

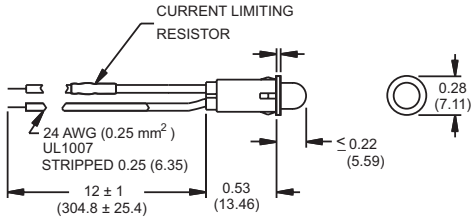


LCS

inches (millimeters)

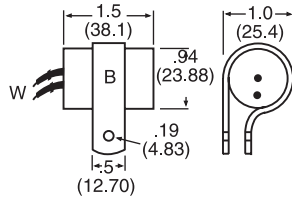
Appendix B - Dimensional Drawings

FIGURE 24



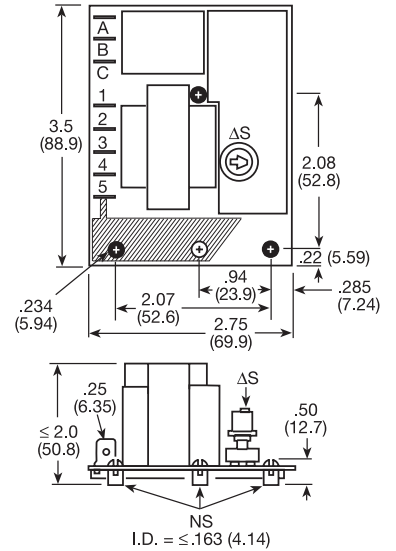
LPM

FIGURE 25



MSM

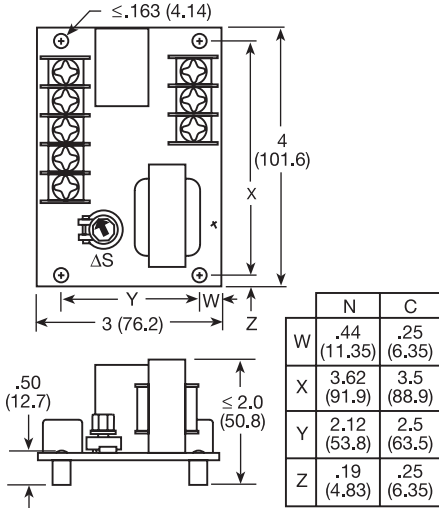
FIGURE 26



● NS = Nylon Standoffs

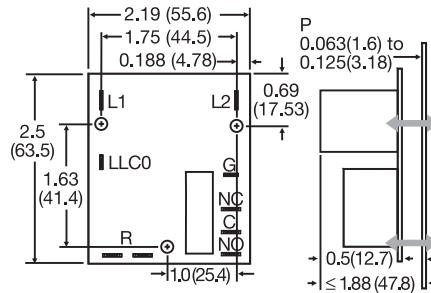
LLC1

FIGURE 27



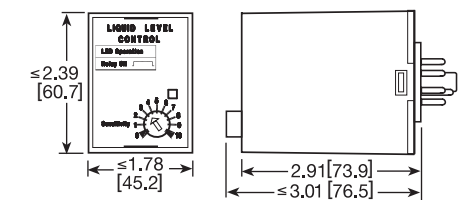
LLC2

FIGURE 28



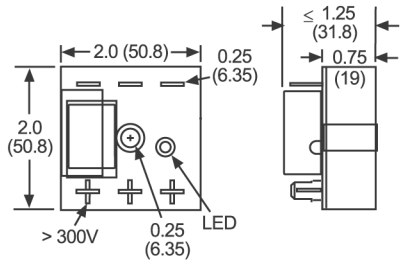
LLC8

FIGURE 29



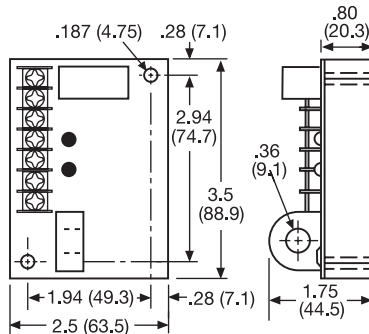
LLC5

FIGURE 30



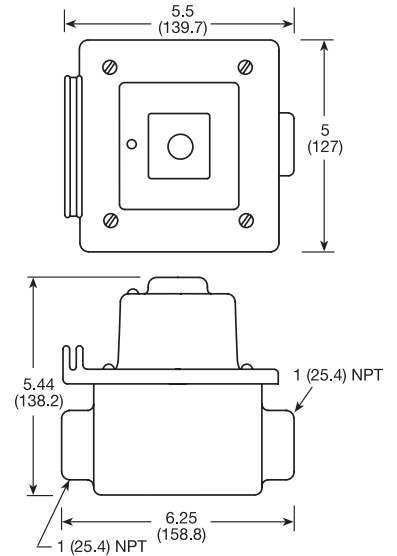
TVM; TVW

FIGURE 32



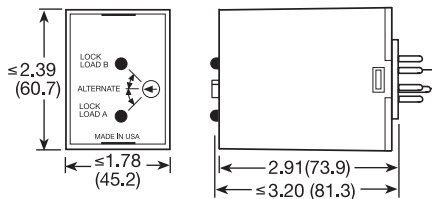
FB; SCR

FIGURE 33



PCR

FIGURE 31

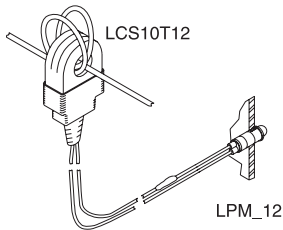


ARP

inches (millimeters)

Appendix C - Connection Diagrams

FIGURE 22 - LCS10T12



Wire Length: 500 ft. (152.4m) max. (Customer Supplied)
CAUTION: The LCS10T12 must be connected to the LPM12 or LPMG12 before current flows to prevent damage or shock hazard. Monitored wires must be properly insulated.

FIGURE 23 - LLC1 Series

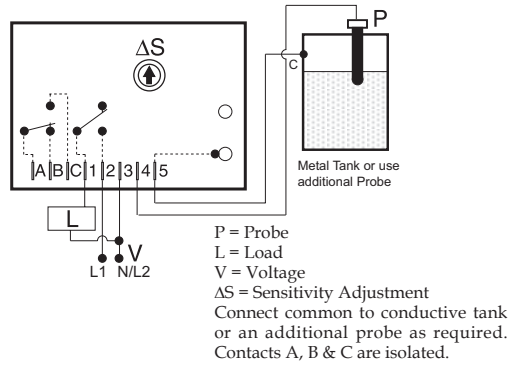


FIGURE 24 - LLC4 Series

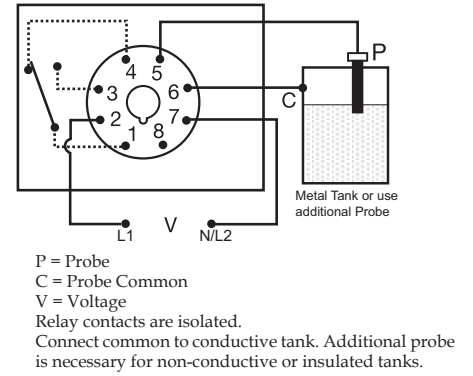


FIGURE 25 - LLC8 Series

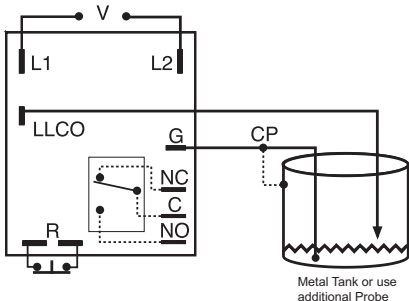


FIGURE 26 - LLC6 Series

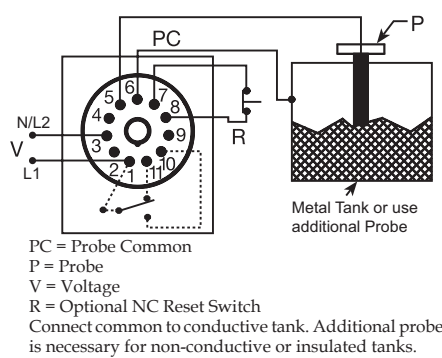


FIGURE 27 - LLC2 Series

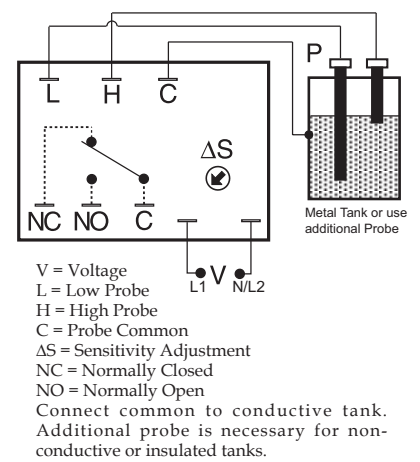


FIGURE 28 - LLC5 Series

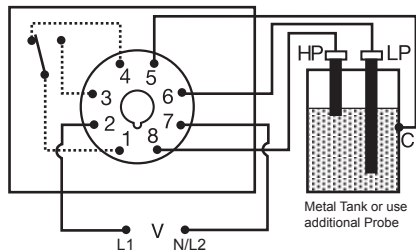
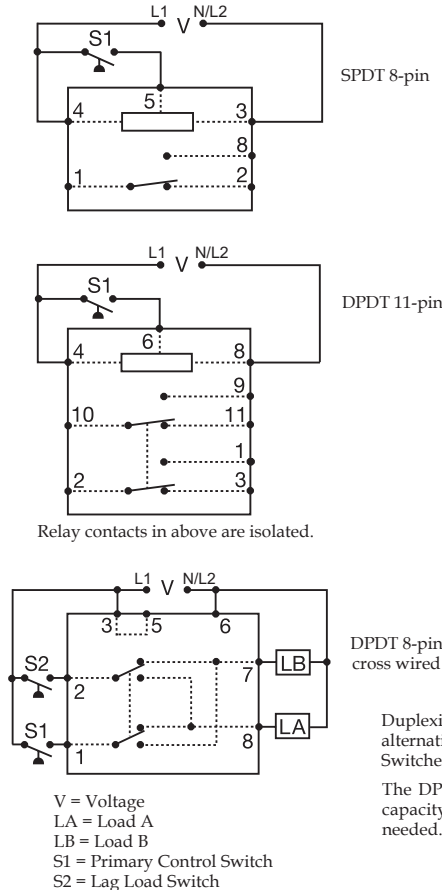


FIGURE 29 - ARP Series



Duplexing (Cross Wired): Duplexing models operate the same as alternating relays and when both the Control (S1) and Lag Load (S2) Switches are closed, Load A and Load B energize simultaneously.

The DPDT 8-pin, cross wired option, allows extra system load capacity through simultaneous operation of both motors when needed. Relay contacts are not isolated.